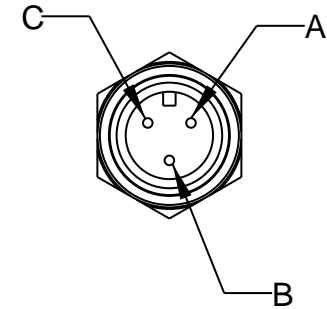
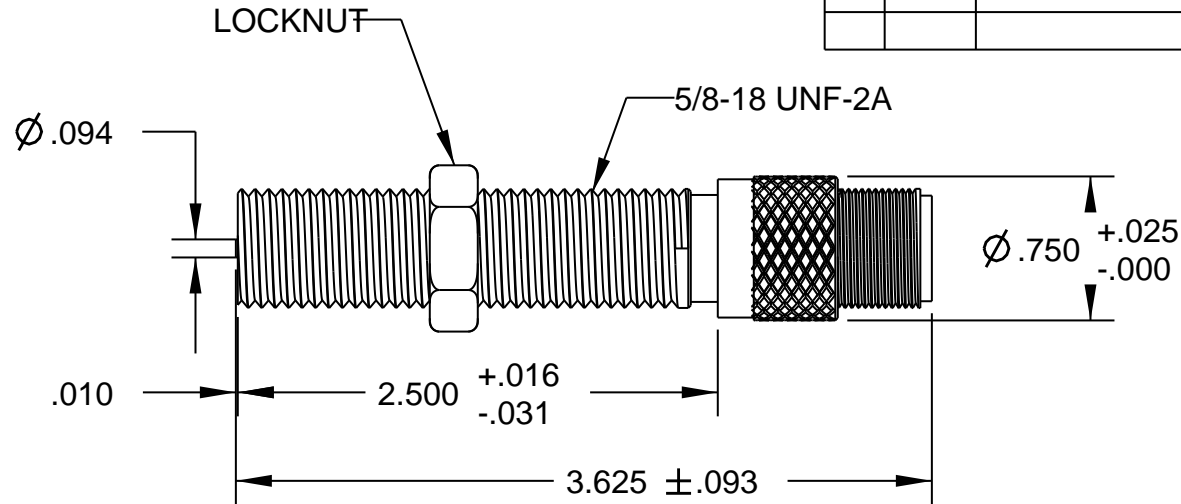


REV	ECN	DESCRIPTION	DATE	DR	CK



SPECIFICATIONS:

- POWER SUPPLY: 18 TO 30 VDC.
- OPERATING TEMPERATURE: -40 ° F TO +250 ° F
- OUTPUT VOLTAGE: TTL COMPATIBLE, 50 ±10% DUTY CYCLE
 - LOGIC 0: +0.6 VDC PEAK MAX. WITH 50mA SINK CURRENT.
 - LOGIC 1: (RL X ES) / (RL + 10K)
- OUTPUT IMPEDANCE: 10KOHMS.
- HOUSING: 303 STAINLESS STEEL.
- OUTPUT CONNECTOR: MATES WITH MS 3106A-10SL-3S
- INSULATION RESISTANCE: 100 MEGA-OHM MIN. @50 VDC (PIN A TO HOUSING).

ELECTRICAL CONNECTIONS	
PIN A	+ POWER SUPPLY
PIN B	OUTPUT
PIN C	COMMON

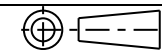
WARNING: INCORRECT WIRING MAY CAUSE PERMANENT DAMAGE TO PICKUP.

THIS DOCUMENT, ALL INFORMATION CONTAINED IN AND ALL INFORMATION RELATED TO, IS PROPERTY OF DYNALCO CONTROLS. IS CONFIDENTIAL TO IT AND NO PART THEREOF NOR ANY SUCH INFORMATION MAY BE COPIED, DISSEMINATED OR USED IN ANY MANNER WHATSOEVER WITHOUT THE PRIOR WRITTEN CONSENT OF DYNALCO AND IS TO BE RETURNED TO DYNALCO UPON REQUEST.

TOLERANCES		
FRACT.	DEC.	ANGLES
±1/64	.XXX ±.005	±1/2°
	.XX ±.01	

MATERIAL

FINISH



THIRD ANGLE PROJECTION

Sheet 1 of 1

DYNALCO

MODEL	M928-24	DRAWN	PF	SCALE
PATH	MPROD\PICKUPS\M928-24	APPROVED	BR	NONE
TITLE	DIGITAL OUTPUT PICKUP			
DATE	11/18/09	A	800-928-24	REV
				-