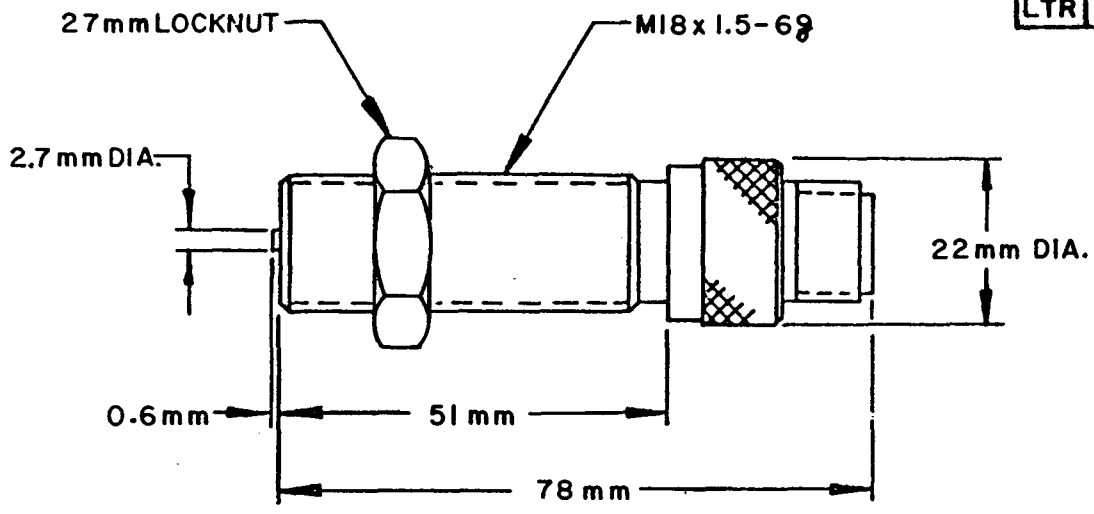


REVISIONS			
LTR	DESCRIPTION	DATE	APPD



TEMPERATURE RANGE	OUTPUT VOLTAGE (SEE NOTE 1)	DC RESISTANCE AT 75°F	INDUCTANCE AT 1KHZ	OUTPUT LEADS (SEE NOTE 2)	INSUL. RESISTANCE AT 500 VDC	NET WEIGHT
-65°F TO +225°F	40 - 65 V p-p	80 - 110 OHMS	30 MH NOM	MATES WITH MS 3106A-10SL-4S	100 MEGOHMS MIN. COIL TO HOUSING	

- NOTES:
- TESTED AT 1000 INCHES/SECOND WITH A 20 PITCH, 30 TOOTH GEAR, 0.005" CLEARANCE AND 100,000 OHM LOAD SHUNTED BY 250 PF.
  - WITH APPROACH OF FERROUS METAL, PIN "B" IS POSITIVE WITH RESPECT TO PIN "A".

CONSTRUCTION:  
 HOUSING - 303 STAINLESS STEEL  
 POLE PIECE - 416 STAINLESS STEEL  
 POTTING - EPOXY RESIN

DO NOT SCALE THIS DRAWING

UNLESS OTHERWISE SPECIFIED DIMENSIONS ARE IN INCHES TOLERANCES ARE		
FRACT.	DEC.	ANGLES
± 1/64	.XXX ± .006 XX ± .01	± 1/2°

MATERIAL:  
 P/L A8006627

FINISH:

<b>DYNALCO® CORPORATION</b> FORT LAUDERDALE, FLORIDA		
DRAWN K. Dalgie		DATE 5-28-86
APPROVED J. D. [Signature]		5/28/86
TITLE MAGNETIC PICKUP MODEL M 320		
SCALE	SIZE	DRAWING NUMBER
	A	8000320
REV.		