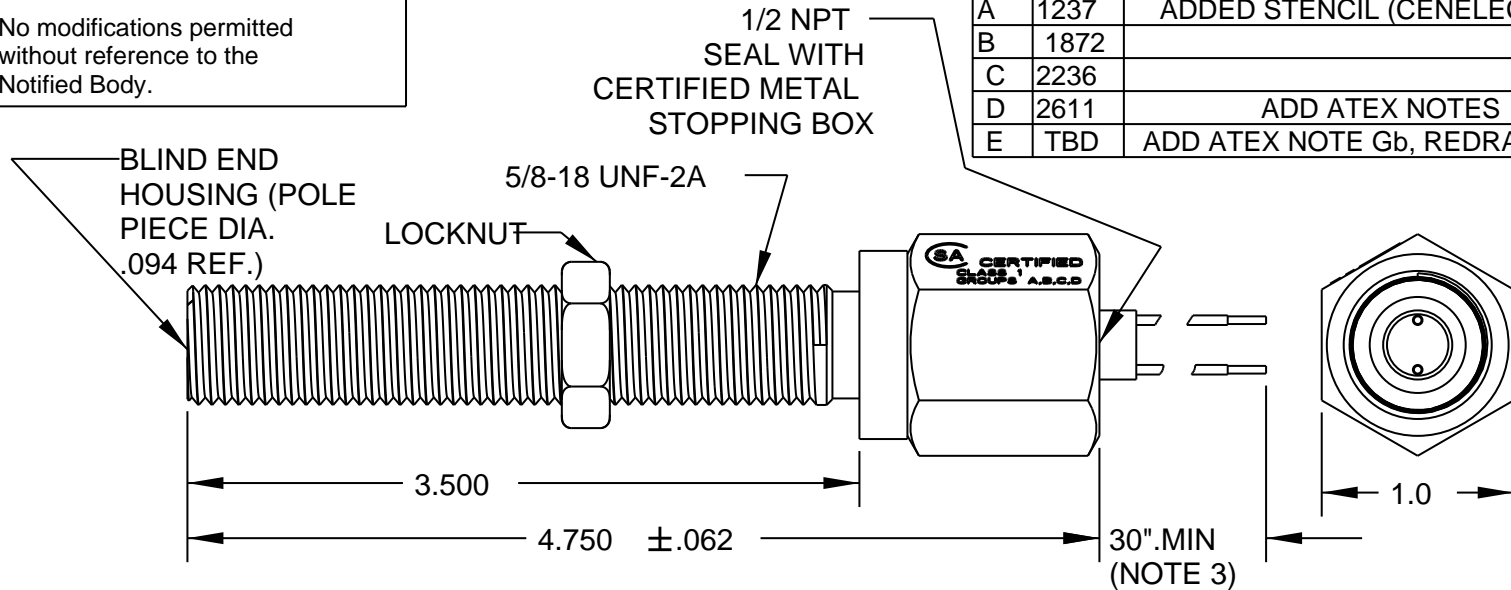


**SCHEDULE DRAWING**

No modifications permitted without reference to the Notified Body.

REV	ECN	DESCRIPTION	DATE	DR	CK
A	1237	ADDED STENCIL (CENELEC) HW	12/12/89	KP	LOC
B	1872		01/16/95	KP	LOC
C	2236		03/03/99	KP	LOC
D	2611	ADD ATEX NOTES	01/18/11	PF	DW
E	TBD	ADD ATEX NOTE Gb, REDRAW CAD	08/28/13	PF	AM

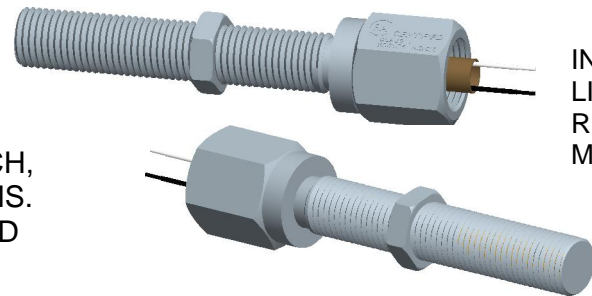


**SA** CERTIFIED CLASS I GROUPS A,B,C,D  
**ATEX CERTIFIED**  
 CE 0081  
 Ex d IIC T6 Gb  
 LCIE 04 ATEX 6019X

TEMPERATURE RANGE	OUTPUT VOLTAGE (SEE NOTE 1)	DC RESISTANCE AT 75 ° F	INDUCTANCE AT 1 KHZ	OUTPUT LEADS (SEE NOTE 2)	INSULATION RESISTANCE AT 500 VDC
-100 ° F to +200 ° F	23-33V P-P	170-210 OHMS	29 MH. NOM.	AWG 18 UL 1015	100 MEGOHMS MIN. COIL TO HOUSING

**NOTES:**

- TESTED AT 1000 INCHES/SECOND WITH AN 20 PITCH, 30 TOOTH GEAR, 0.005" CLEARANCE AND 100 KOHMS.
- WITH APPROACH OF FERROUS METAL, WHITE LEAD IS POSITIVE WITH RESPECT TO BLACK LEAD.
- LEAD LENGTH UP TO 100 FT. OPTIONAL



INSTRUMENT OR INSTALLATION MUST LIMIT GENERATED VOLTAGE TO 95V RMS (270 VOLTS PEAK TO PEAK) AND MAX. CURRENT TO 0.05 AMPS.

**CONSTRUCTION:**

HOUSING ----- 303 STAINLESS STEEL  
 POTTING ----- EPOXY RESIN

THIS DOCUMENT, ALL INFORMATION CONTAINED IN AND ALL INFORMATION RELATED TO THE PROPERTY OF DYNALCO CONTROLS, IS CONFIDENTIAL TO IT AND NO PART THEREOF NOR ANY SUBSTANTIAL INFORMATION MAY BE COPIED, DISSEMINATED OR USED IN ANY MANNER WHATSOEVER WITHOUT THE WRITTEN CONSENT OF DYNALCO AND IS TO BE RETURNED TO DYNALCO UPON REQUEST.

TOLERANCES	FRACT.	DEC.	ANGLES
±1/64	.XXX±.005	±1/2°	
	.XX±.01		

MATERIAL

FINISH

THIRD ANGLE PROJECTION		Sheet 1 of 1	
<b>DYNALCO</b>			
MODEL	M319	DRAWN	PF
PATH	MPROD\PICKUPS\M319	APPROVED	HM
TITLE OUTLINE AND SPECIFICATIONS M319 U.L. LISTED MAGNETIC PICKUP			
DATE	04/22/86	A	800-0319
		REV	E