

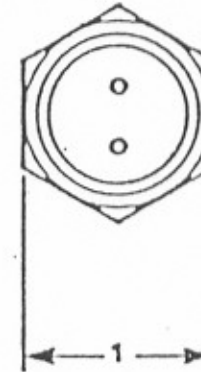
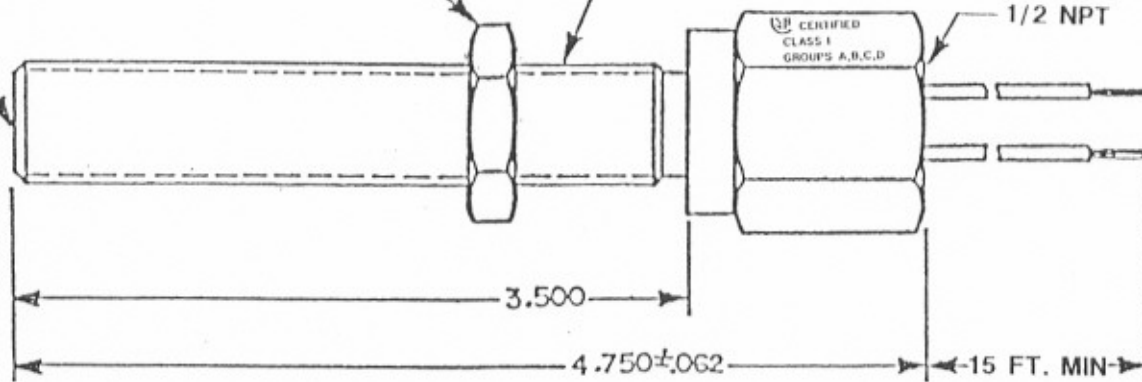
BLIND END HOUSING (POLE PIECE DIA. .094 REF.)

LOCKNUT

$\frac{5}{8}$  - 18 UNF - 2A

CERTIFIED CLASS 1 GROUPS A,B,C,D


1/2 NPT



REVISIONS			
LTR	DESCRIPTION	DATE	APPD
A	ECN 1872	1-16-95	JOC
B	ECN 2089	7/29/97	JOC

TEMPERATURE RANGE	OUTPUT VOLTAGE (SEE NOTE 1)	DC RESISTANCE AT 75°F	INDUCTANCE AT 1 KHZ	OUTPUT LEADS (SEE NOTE 2)	INSULATION RESISTANCE AT 500 VDC
-65° to +250°F	23-33V p-p	170-210 OHMS	29 MH. NOM.	AWG 18 TEFLON	100 MEGOHMS MIN. COIL TO HOUSING

- NOTES: 1. TESTED AT 1000 INCHES/SECOND WITH A 20 PITCH, 30 TOOTH GEAR, .005" CLEARANCE AND 100,000 OHMS.
2. WITH APPROACH OF FERROUS METAL, WHITE LEAD IS POSITIVE WITH RESPECT TO BLACK LEAD.
3. LEAD WIRE TEMPERATURE 400 DEGREES F MAX.

 CERTIFIED CLASS 1 GROUPS A,B,C,D

CONSTRUCTION:  
HOUSING- 303 STAINLESS STEEL  
POTTING- EPOXY RESIN

UNLESS OTHERWISE SPECIFIED DIMENSIONS ARE IN INCHES TOLERANCES ARE

FRACT.	DEC.	ANGLES
± 1/64	.xxx ± .008 .xx ± .01	± 1/2°

MATERIAL:

FINISH:

**DYNALCO® CORPORATION**  
FORT LAUDERDALE, FLORIDA

DRAWN	HP	DATE	10-6-92
APPROVED	JOC		10/6/92

TITLE  
**MAGNETIC PICKUP MODEL 219**

SCALE	SIZE	DRAWING NUMBER	REV.
	A	8000219	B

DO NOT SCALE THIS DRAWING