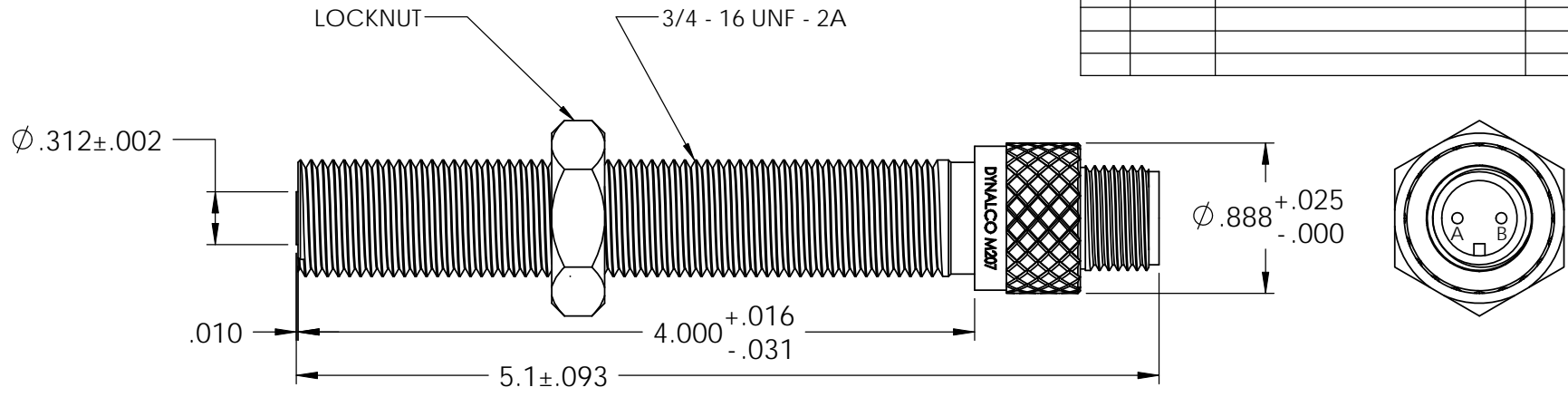


REV	ECN	REVISION RECORD	DATE	DR	CK
A	8802	REDRAWN IN CAD	10/29/13	PF	MG



TEMPERATURE RANGE	OUTPUT VOLTAGE PEAK TO PEAK	DC RESISTANCE OHMS	INDUCTANCE AT 1 KHz	OUTPUT CONNECTOR	INSULATION RESISTANCE	NET WEIGHT
-65 °F TO +225 °F	15-17 VOLTS (SEE NOTE 1)	15 - 18 AT 75 °F	4.5 mH ±10%	MATES WITH MS3106A-10SL-4S (SEE NOTE 2)	100 MEGOHMS MIN. AT 500 VDC, COIL TO HOUSING	5.2 OZ. AVG.

ZENER LIMITED OUTPUT VOLTAGE AND CURRENT



NOTES:

- 1- TESTED AT 200 INCHES/SECOND WITH A 4 PITCH, 12 TOOTH GEAR, .010" CLEARANCE AND 100,000 OHMS LOAD SHUNTED BY 250 PF.
- 2- WITH APPROACH OF FERROUS METAL, PIN "B" IS POSITIVE WITH RESPECT TO PIN "A".

CONSTRUCTION:

HOUSING ----- 303 STAINLESS STEEL
 POLE PIECE -- 416 STAINLESS STEEL
 POTTING ----- EPOXY RESIN

THIS DOCUMENT, ALL INFORMATION CONTAINED IN AND ALL INFORMATION RELATED TO, IS PROPERTY OF DYNALCO, IS CONFIDENTIAL TO IT AND NO PART THEREOF NOR ANY SUCH INFORMATION MAY BE COPIED, DISSEMINATED OR USED IN ANY MANNER WHATSOEVER WITHOUT THE PRIOR WRITTEN CONSENT OF DYNALCO AND IS TO BE RETURNED TO DYNALCO UPON REQUEST.

UNLESS OTHERWISE SPECIFIED		THIRD ANGLE PROJECTION	
DIMENSIONS ARE IN INCHES DIMENSIONAL TOLERANCES: FRACTIONAL ±1/64 ANGULAR: ± 1/2° XX ±0.010 XXX ±0.005		DYNALCO	
DATE: 10/21/85	MODEL: M207		
MATERIAL:	PATH: N:\PROD\PICKUPS\M207	APPROVED: MG	
FINISH:	TITLE: MAGNETIC PICKUP, MODEL M207		
	SIZE: A	DWG. NO.: 800-0207	REV: A
DO NOT SCALE DRAWING	SCALE:	WEIGHT:	SHEET 1 OF 1