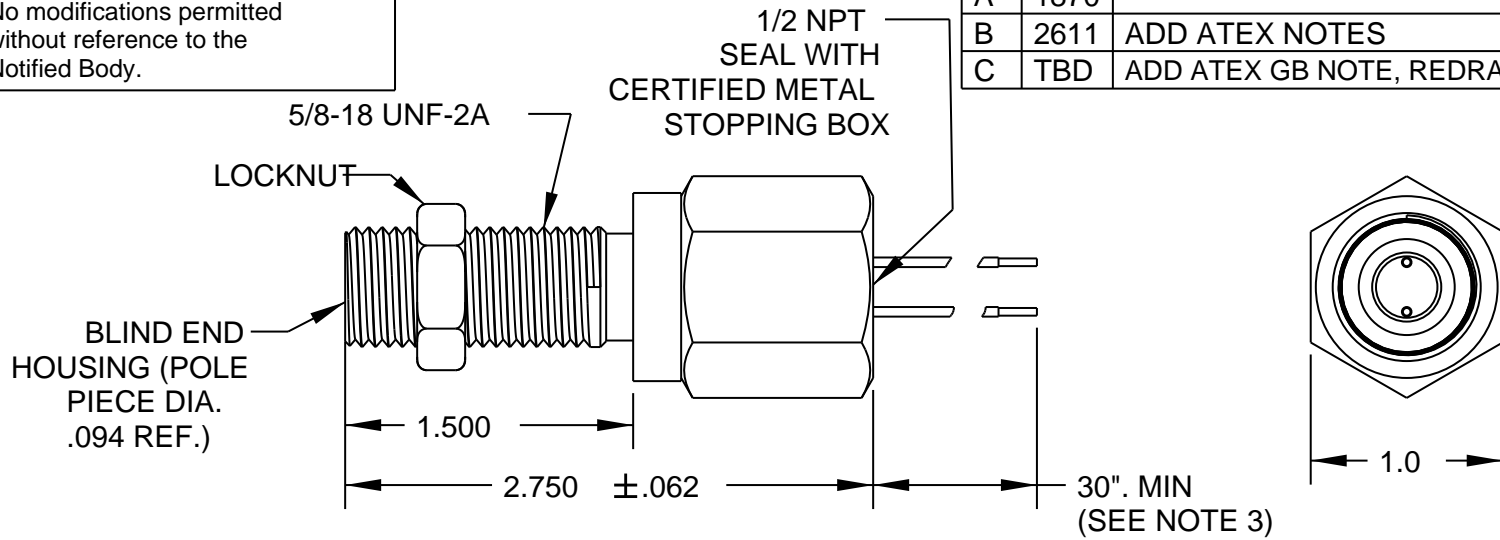


SCHEDULE DRAWING

No modifications permitted without reference to the Notified Body.

| REV | ECN | DESCRIPTION | DATE | DR | CK |
|-----|------|---------------------------------|----------|----|-----|
| A | 1870 | | 1/06/95 | KP | LOC |
| B | 2611 | ADD ATEX NOTES | 01/18/11 | PF | DW |
| C | TBD | ADD ATEX GB NOTE, REDRAW IN CAD | 08/28/13 | PF | AM |



LISTED WITH UNDERWRITERS LABORATORIES, INC. CLASS I, GP.A,B,C & D. CLASS II, GP E, F & G.

SP CERTIFIED CLASS I GROUPS A,B,C,D

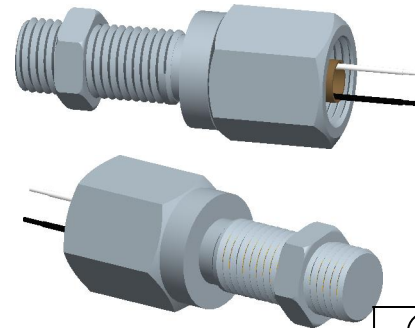
ATEX CERTIFIED

CE 0081
Ex II 2 G
 Ex d IIC T6 Gb
 LCIE 04 ATEX 6019X

| TEMPERATURE RANGE | OUTPUT VOLTAGE (SEE NOTE 1) | DC RESISTANCE AT 75 ° F | INDUCTANCE AT 1 KHZ | OUTPUT LEADS (SEE NOTE 2) | INSULATION RESISTANCE AT 500 VDC |
|----------------------|-----------------------------|-------------------------|---------------------|---------------------------|----------------------------------|
| -100 ° F to +200 ° F | 23-33V P-P | 170-210 OHMS | 29 MH. NOM. | AWG 18 UL 1015 | 100 MEGOHMS MIN. COIL TO HOUSING |

NOTES:

- 1- TESTED AT 1000 INCHES/SECOND WITH AN 20 PITCH, 30 TOOTH GEAR, 0.005" CLEARANCE AND 100 KOHMS.
- 2- WITH APPROACH OF FERROUS METAL, WHITE LEAD IS POSITIVE WITH RESPECT TO BLACK LEAD.
- 3- LEAD LENGTH UP TO 100 FT. OPTIONAL



INSTRUMENT OR INSTALLATION MUST LIMIT GENERATED VOLTAGE TO 95V RMS (270 VOLTS PEAK TO PEAK) AND MAX. CURRENT TO 0.05 AMPS.

CONSTRUCTION:

HOUSING ----- 303 STAINLESS STEEL
 POTTING ----- EPOXY RESIN

THIRD ANGLE PROJECTION **Sheet 1 of 1**

DYNALCO

TOLERANCES
 FRACT. DEC. ANGLES
 ±1/64 .XXX±.005 ±1/2°
 .XX±.01

MODEL **M180** DRAWN **PF** SCALE

PATH MPROD\PICKUPS\M180 APPROVED **HM** NONE

TITLE OUTLINE AND SPECIFICATIONS
 M180 U.L. LISTED MAGNETIC PICKUP

MATERIAL

FINISH

DATE **12/03/80** **A** 800-0180 REV **C**

THIS DOCUMENT, ALL INFORMATION CONTAINED IN AND ALL INFORMATION RELATED TO THE PROPERTY OF DYNALCO CONTROLS, IS CONFIDENTIAL TO IT AND NO PART THEREOF NOR ANY SUBSTANTIAL INFORMATION MAY BE COPIED, DISSEMINATED OR USED IN ANY MANNER WHATSOEVER WITHOUT THE WRITTEN CONSENT OF DYNALCO AND IS TO BE RETURNED TO DYNALCO UPON REQUEST.