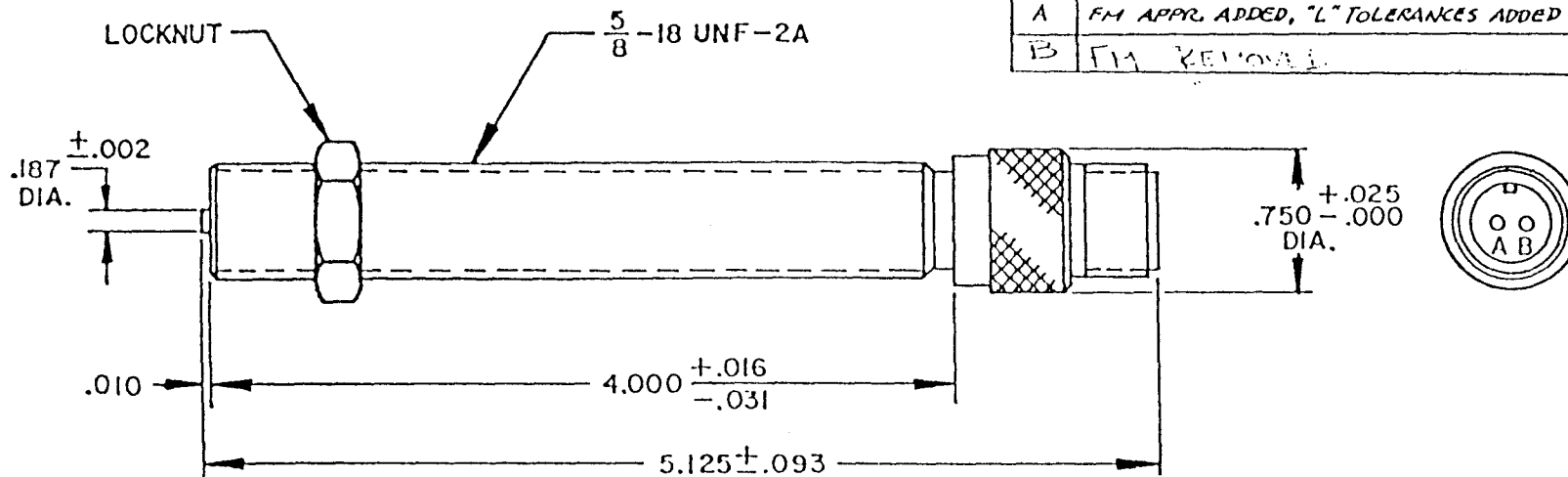


REVISIONS			
LTR	DESCRIPTION	DATE	APPD
A	FM APPR. ADDED, "L" TOLERANCES ADDED	2-5-79	KN143
B	FM REMOVAL	12-8-91	KN157



TEMPERATURE RANGE	OUTPUT VOLTAGE PEAK TO PEAK	DC RESISTANCE OHMS	INDUCTANCE MILLIHENRYS	OUTPUT CONNECTOR	INSULATION RESISTANCE	NET WEIGHT
-65°F TO +225°F	18-23 VOLTS (SEE NOTE 1) 13 V TYP. AT 100 IPS	170-210 AT 75°F	12-16 AT 1 KHz.	MATES WITH MS3106A-10SL-4S (SEE NOTE 2)	100 MEGOHMS MIN. AT 500 VDC, COIL TO HOUSING	3.2 OZ. AVG.

NOTES:

1. TESTED AT 1000 INCHES/SECOND WITH AN 8 PITCH, 12 TOOTH GEAR, 0.005" CLEARANCE AND 100K OHM LOAD SHUNTED BY 250 MMF.

LIMITED OUTPUT CURRENT AND VOLTAGE

2. WITH APPROACH OF FERROUS METAL, PIN "B" IS POSITIVE WITH RESPECT TO PIN "A".

CONSTRUCTION:

HOUSING-303 STAINLESS STEEL
POLE PIECE-416 STAINLESS STEEL
POTTING-EPOXY RESIN

UNLESS OTHERWISE SPECIFIED DIMENSIONS ARE IN INCHES TOLERANCES ARE		DYNALCO® CORPORATION FORT LAUDERDALE, FLORIDA	
FRACT.	DEC.	ANGLES	DATE
±1/64	.XXX ±.005 XX ±.01	±1/2°	4-6-78
MATERIAL:		DRAWN Ralph D.	APPROVED <i>L. B. King</i>
FINISH:		TITLE MAGNETIC PICKUP MODEL MI35	
SCALE	SIZE	DRAWING NUMBER	REV.
—	A	8000135	B

DO NOT SCALE THIS DRAWING