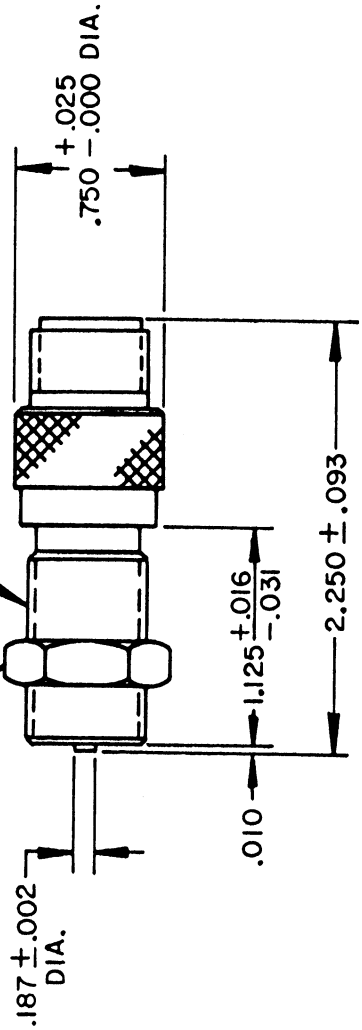


REVISIONS

LTR	DESCRIPTION	DATE	APPD

LOCKNUT  
 $\frac{5}{8}$ -18 UNF-2A



TEMPERATURE RANGE	OUTPUT VOLTAGE PEAK TO PEAK	DC RESISTANCE OHMS	INDUCTANCE MILLIHENRYS	OUTPUT CONNECTOR	INSULATION RESISTANCE	NET WEIGHT
-65° F TO +225° F	70-110 VOLTS (SEE NOTE 1)	170-210 AT 75° F	75 NOM.	MATES WITH MS3106A - 10SL-4S (SEE NOTE 2)	100 MEGOHMS MIN. AT 500VDC, COIL TO HOUSING	1.9 OZ. AVG.

NOTES:

- TESTED AT 1000 INCHES/SECOND WITH AN 8 PITCH, 12 TOOTH GEAR, 0.005" CLEARANCE AND 1250 OHM LOAD SHUNTED BY 250 MMF.
- WITH APPROACH OF FERROUS METAL, PIN "B" IS POSITIVE WITH RESPECT TO PIN "A".

CONSTRUCTION:

HOUSING - 303 STAINLESS STEEL  
 POLE PIECE - 416 STAINLESS STEEL  
 POTTING - EPOXY RESIN

UNLESS OTHERWISE SPECIFIED DIMENSIONS ARE IN INCHES  
 TOLERANCES ARE  
 FRACT. DEC. ANGLES  
 +1/64 .XXX ± .005 ± 1/2°  
 .XX ± .01 ± 1/2°

MATERIAL:

**DYNALCO CORPORATION**  
 FORT LAUDERDALE, FLORIDA

DRAWN Ralph D. DATE 4-6-78  
 APPROVED *L.O. [Signature]* 4/10/78

TITLE  
**MAGNETIC PICKUP MODEL M107**

SCALE	SIZE	DRAWING NUMBER	REV.
—	A	8000107	

DO NOT SCALE THIS DRAWING