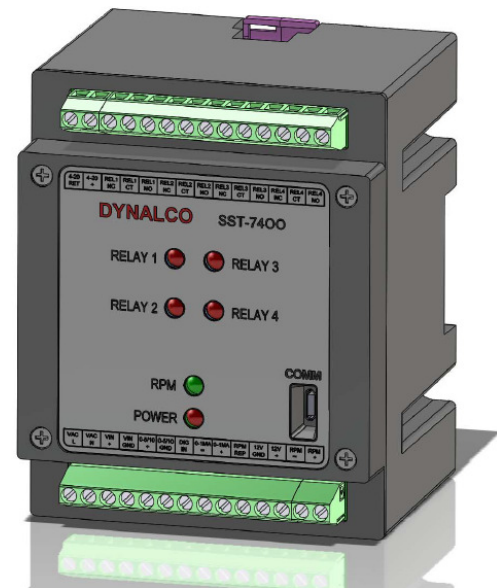
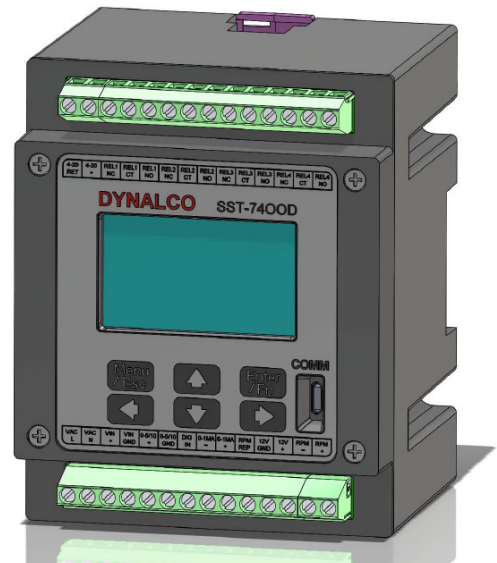


SST-7200, SST-7400

SST-7200D & SST-7400D

Speed Switch / Transmitter

- Accepts 2 or 3-wire speed sensors
- 0 - 50 KHz input frequency range
- 4 – 20 mA output (isolated)
- 0 – 5 / 0 – 10 VDC linear output
- 50 msec relay response time
- 2 or 4 SPDT relays
- Failed (open) pickup sensing
- Square wave repeater output
- 10 – 36 VDC input supply power
- Available input isolation transformer
- PC programmable over USB port
- Front Keypad programmable (for models with LCD Display)
- –I suffix:
Isolated RPM input from the power supply ground by more than 300V peak
- –AC suffix (for models with LCD Display):
AC supply voltage to use for the
VAC L / VAC N terminals (see Electrical specifications)



SST-7200(D) & SST-7400(D) accept a pulsed input and provide a 4-20 mA output that is very accurate and stable with temperature changes representing speed of rotating machinery for a local panel meter or PLC analog input card. They also provide 2 “SST-7200(D)” and 4 “SST-7400(D)” quick relay responses to over/under speed conditions. Applications include speed measurement & overspeed protection of industrial engines, turbomachinery and pumps.

SPECIFICATIONS

Electrical:

- Supply Voltage: 10 – 36 VDC, maximum 5 Watts (standard)
 –AC suffix: Only for models with LCD Display.
 AC (and DC) supply voltage on terminals VAC L & VAC N.
 115 to 280 VAC & 115 to 400 VDC, with maximum 10 Watts.
- Input Types: 2-wire magnetic pickup (variable reluctance)
 3-wire Hall-Effect
 3-wire amplified VR type
 –I suffix: Isolated RPM input from the power supply ground by more than 300V peak
- Input Sensitivity: 25 mV min – 50 VRMS max
- Proportional Output: Fully isolated 4 – 20 mA (sourced)
 Plus 0 – 5 VDC or 0 – 10 VDC
 0-1 mA linear output for instrument display
- Relays: SPDT contacts rated 6 Amps at 28 VDC or 115 VAC

Display Information:

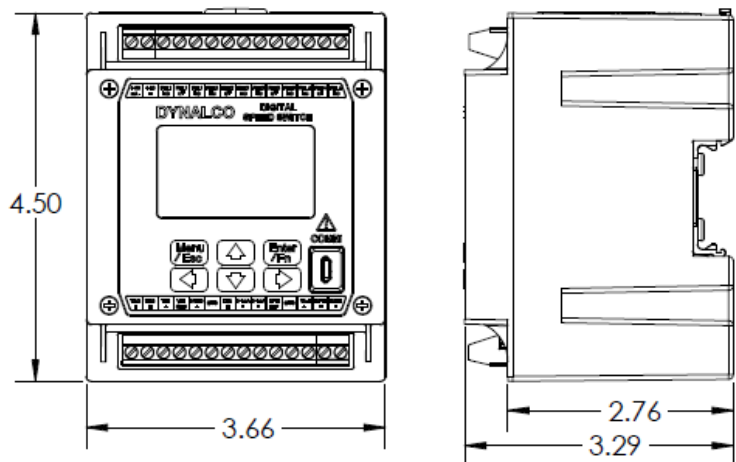
RPM, Alarms, Settings (RPM signal, setpoints / relay logic, analog input, security, relay test, setpoint log, and display)

Mechanical:

DIN rail mount (standard 35 mm)

Environmental:

Operating temperature range
 -40 °C to +70 °C
 Storage temperature range
 -40 °C to +80 °C



HOW TO ORDER

Specify part number as follows:

2 setpoints

- SST-7200 with LED
- SST-7200D with Display
- SST-7200-I with LED, Isolated RPM input
- SST-7200D-I with Display, Isolated RPM input
- SST-7200D-AC with Display, VAC supply power
- SST-7200D-I-AC with Display, VAC supply power & Isolated RPM input

4 setpoints

- SST-7400 with LED
- SST-7400D with Display
- SST-7400-I with LED, Isolated RPM input
- SST-7400D-I with Display, Isolated RPM input
- SST-7400D-AC with Display, VAC supply power
- SST-7400D-I-AC with Display, VAC supply power & Isolated RPM input

DYNALCO